



DNH

HEAD OFFICE, NORWAY

DNH AS

Phone..... + 47 35 98 56 00

Fax..... + 47 35 98 56 10

E-mail..... dnh@dnh.no

Web-Site..... www.dnh.no

ENGLAND

DNH WW Ltd

Phone..... + 44 1908 275 000

Fax..... + 44 1908 275 100

E-mail..... dnh@dnh.co.uk

GERMANY

DNH GmbH

Phone... + 49 040 6569 30-0

Fax..... + 49 040 6569 30-30

E-mail..... dnh@dnh.de

BMD-60(T)

USA

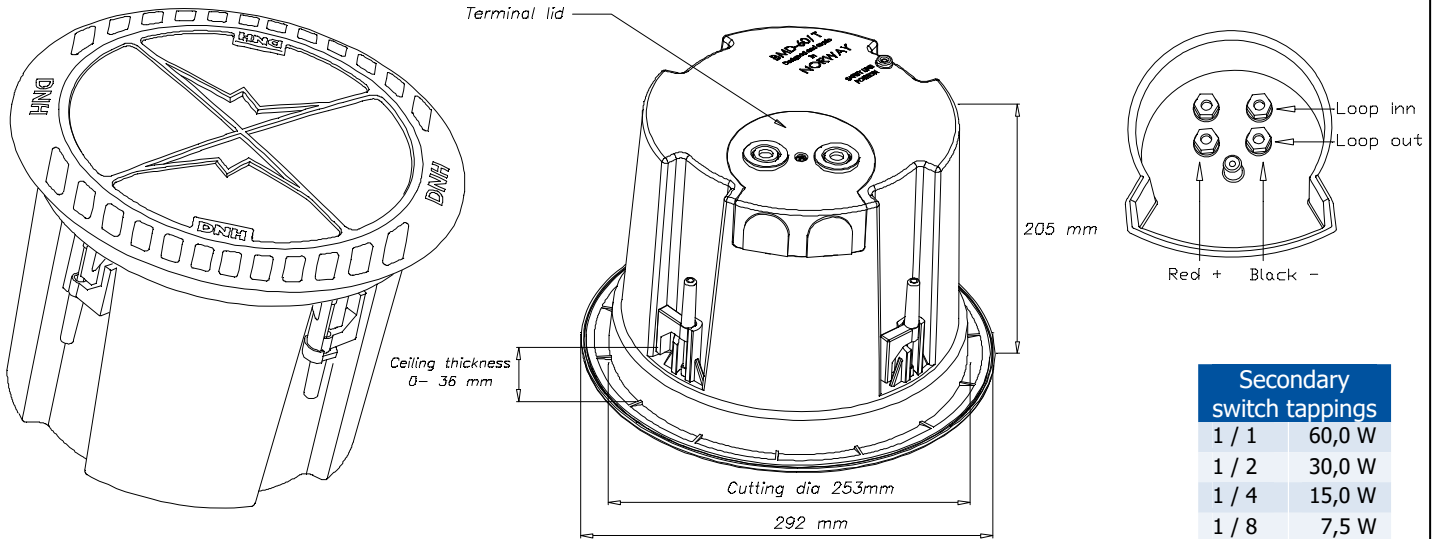
DNH Speakers Inc

Phone..... + 1 484 494 5790

Fax..... + 1 484 494 5793

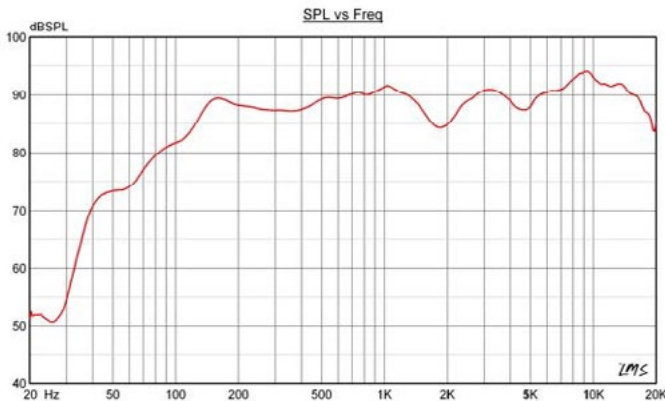
E-mail..... dnh@dnhspeakers.com

ISO 9001 CERTIFIED



Secondary switch tapings	
1 / 1	60,0 W
1 / 2	30,0 W
1 / 4	15,0 W
1 / 8	7,5 W
1 / 16	3,5 W

Sound pressure levels at 1W/1m



Specifications

Material / Color	ABS / Black or White
Mounting	4 clamps
Termination	Screw terminal
Weight w/transformer	3,8 kg
IP-rating	44
Max. / min. amb. temp	90°C / -40°C
Rated / max. power	60 W / 100 W
SPL 1W/1m	90 dB
SPL rated power	109 dB
Effective freq. range	45 – 20000 Hz
Dispersion (-6dB) 1kHz / 4kHz	120° / 60°
Directivity factor, Q	
Options	Impedances, colors, labels

Installation, Operation and Maintenance Procedures

- BMD-60 is delivered with one white grill, one black grill, terminal lid with two cable glands and 4 rubber plugs.
- BMD-60 is available with 60 W transformer and tapping switch on front.
- Lead cable through cable gland and connect cable to terminal.
- Screw on lid with enclosed screw and tighten cable glands to assure a good sealing towards cable.
- Install box to the roof/wall by turning 4 screws clockwise and the 4 hooks will keep the loudspeaker in position.
- Screw grill (black or white) clockwise into fixed position.
- For optimum performance, always use the correct voltage / power and operate within the frequency limits as stated.
- Do not open loudspeaker when energized.
- This loudspeaker is supplied with a 2 year warranty against defective workmanship.

DNH reserves the right to alter specifications without notice

